

1 February 2016

By: K.G.

**STOCKMAN  
STONEWORKS**



**OUTDOOR FIRE BOX KIT**

Build Guide

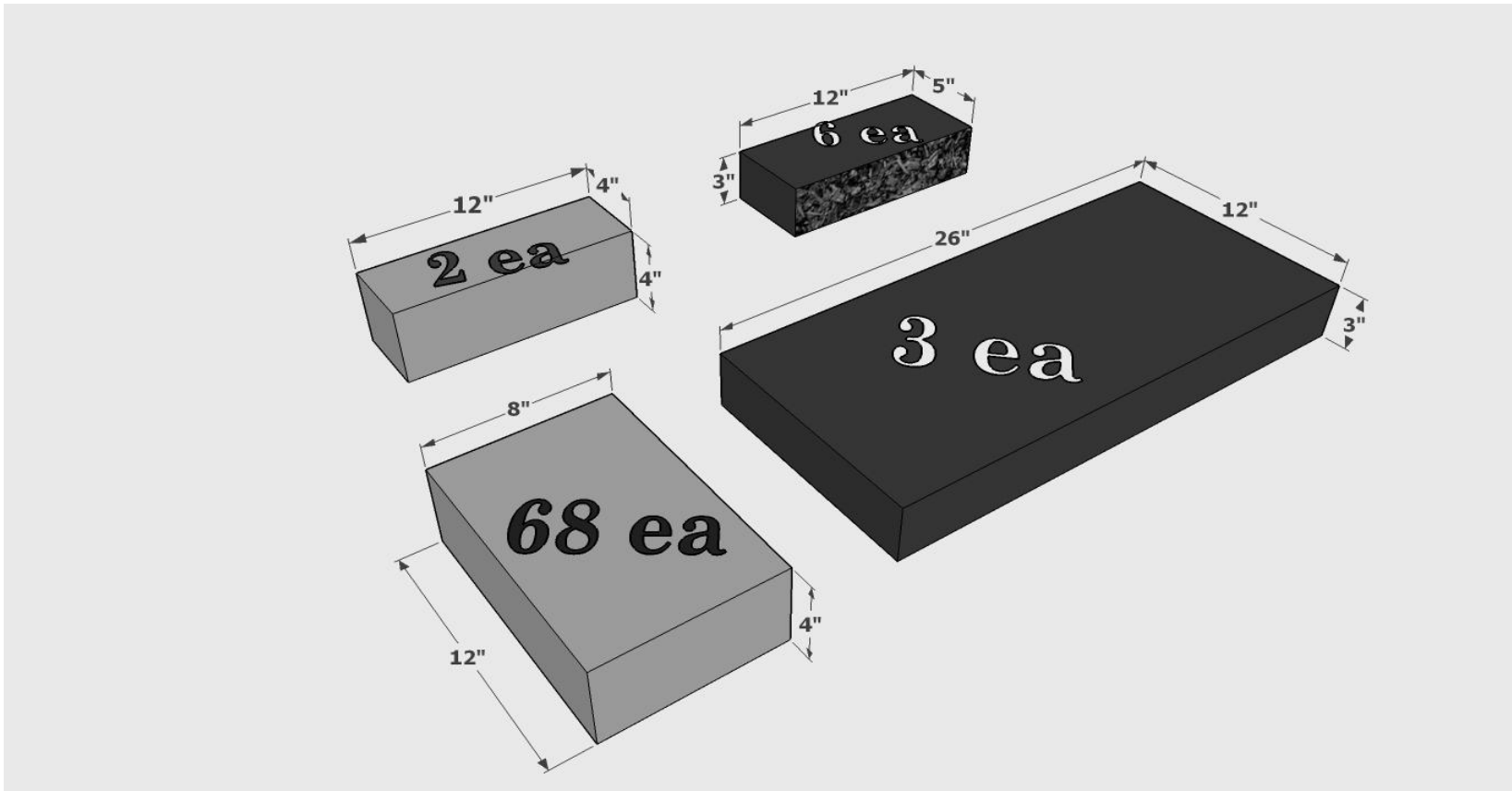
TOOLS

SQUARE  
CAULK GUN

4 FOOT LEVEL  
DEAD BLOW HAMMER

Item List

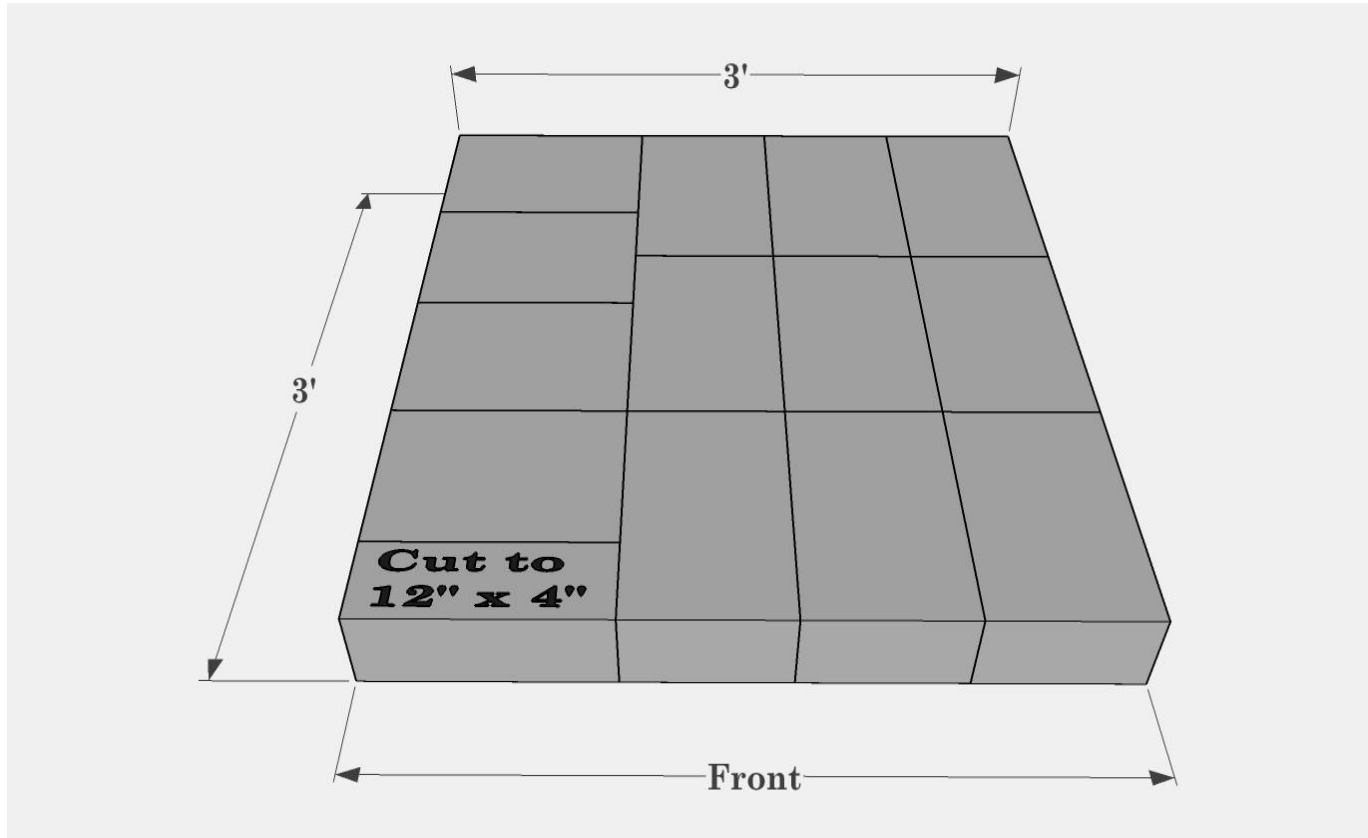
Simplicity 12x8x4 68ea    Simplicity 12x4x4 2ea  
Double Vyking Cap 26"x12"x3" 3ea    Outer Cap 12"x5"x3" 6ea  
PL Glue 5 Tubes



# Step 1

ITEM	Quantity
Simplicity 	13
Simplicity Cut 12 x 4 x 4 	1

"For ease of installation a cement pad is recommended." If concrete is not an option a pad of gravel will suffice. Insure to use a 1" Rock or comparable size, at least 2 inches thick, compacted on solid ground. Using a straight edge (i.e. 4' level or 2 x 4 Square) pick a starting side and begin leveling your blocks one at a time, using your straight edge as a guide.

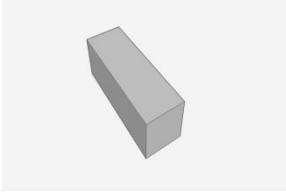


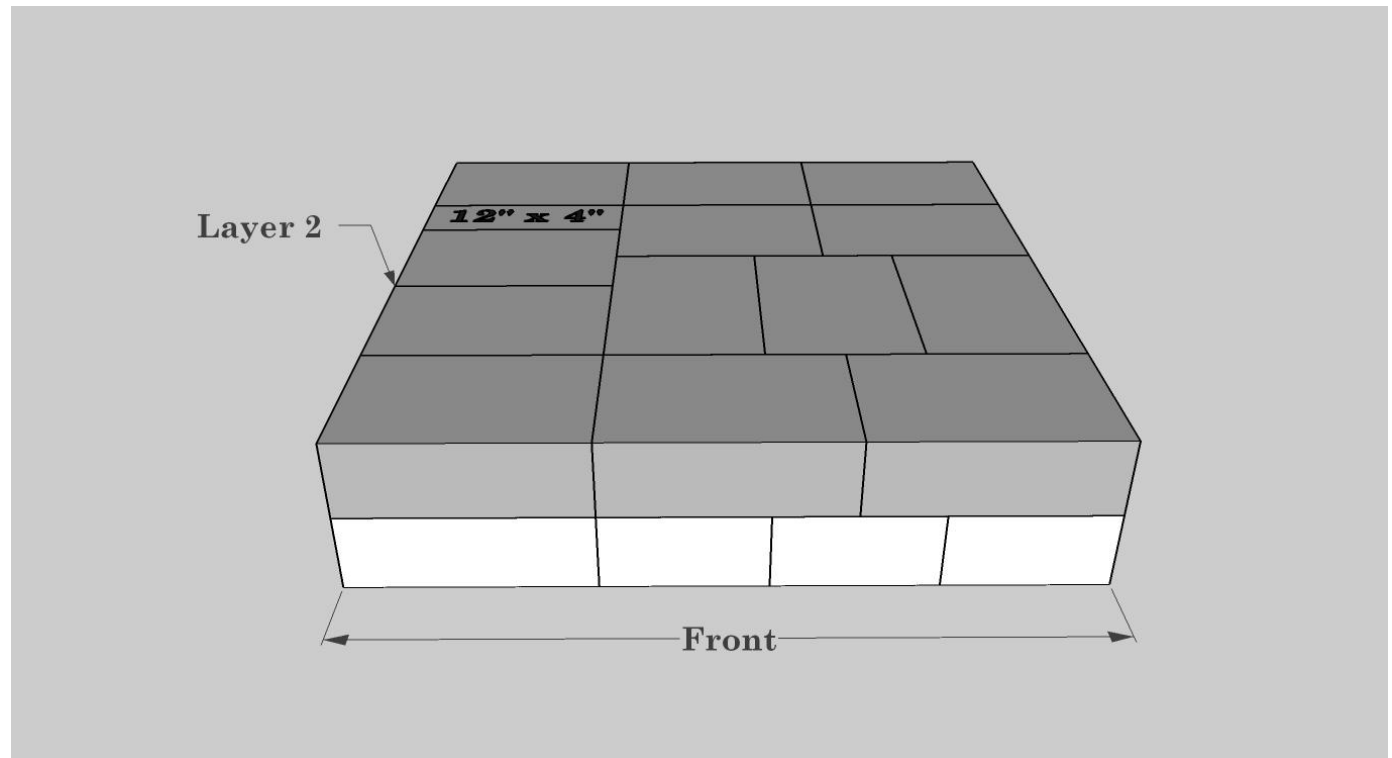
# Step 2

Once your base is level, thoroughly brush off the top to ensure proper bonding. Clean your second layer blocks also and begin laying your second course, gluing all blocks. Gluing sides is not necessary. Again use your straight edge and square to keep everything plumb.

**\*Important Note\*** As you glue, gently tap block with your Dead blow to evenly distribute the glue between adjoining faces.

**\*Important Note\*** Take Caution, as freshly glued blocks will easily slide around until glue begins to set.

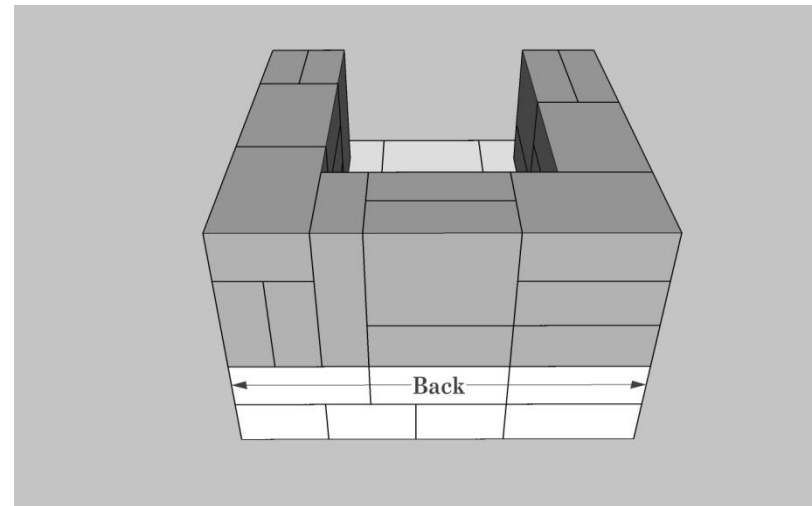
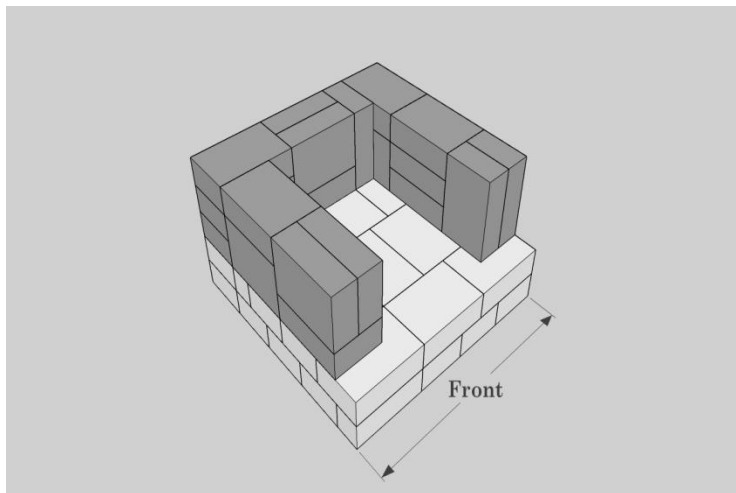
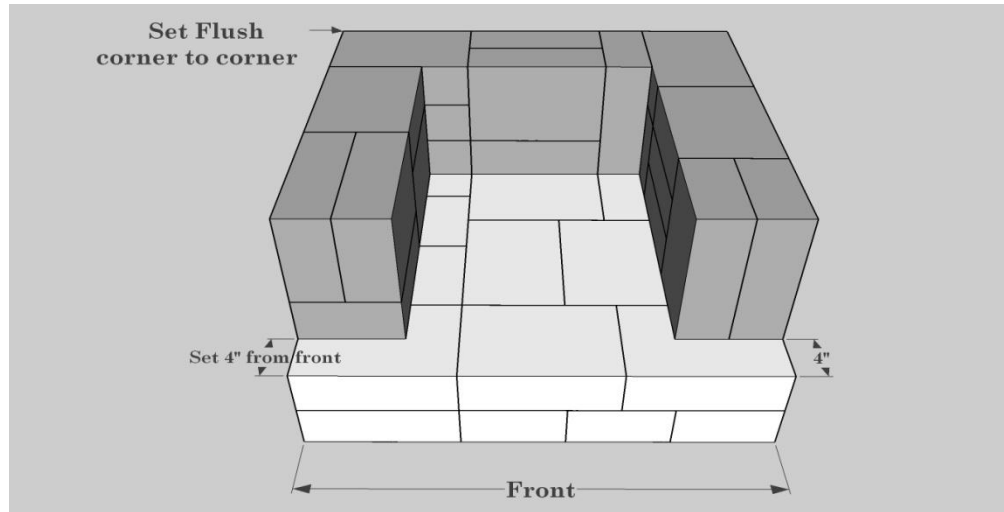
ITEM	Quantity
Simplicity	
	13
Simplicity Cut 12 x 4 x 4	
	1
Glue	
	



# Step 3

Again insure all blocks to be glued are thoroughly brushed and clear of dust. Begin at either corner and construct the back section first, gluing all touching blocks.

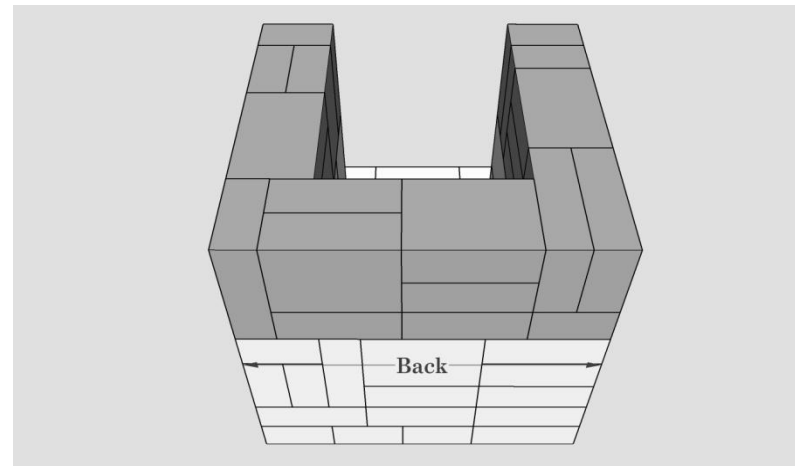
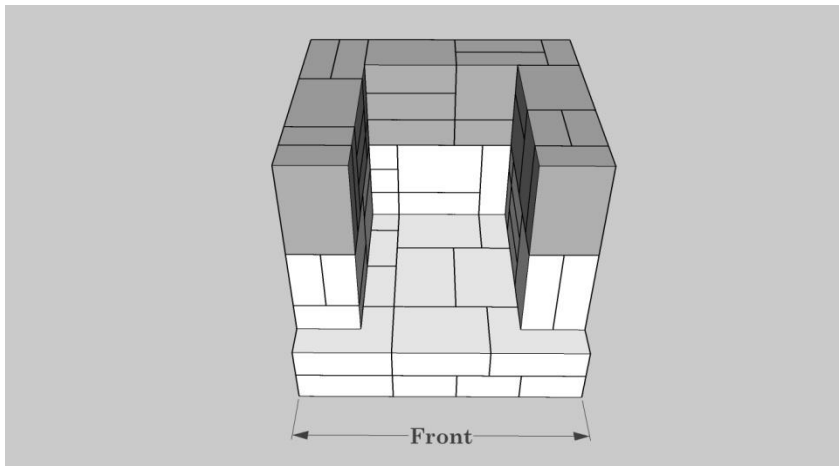
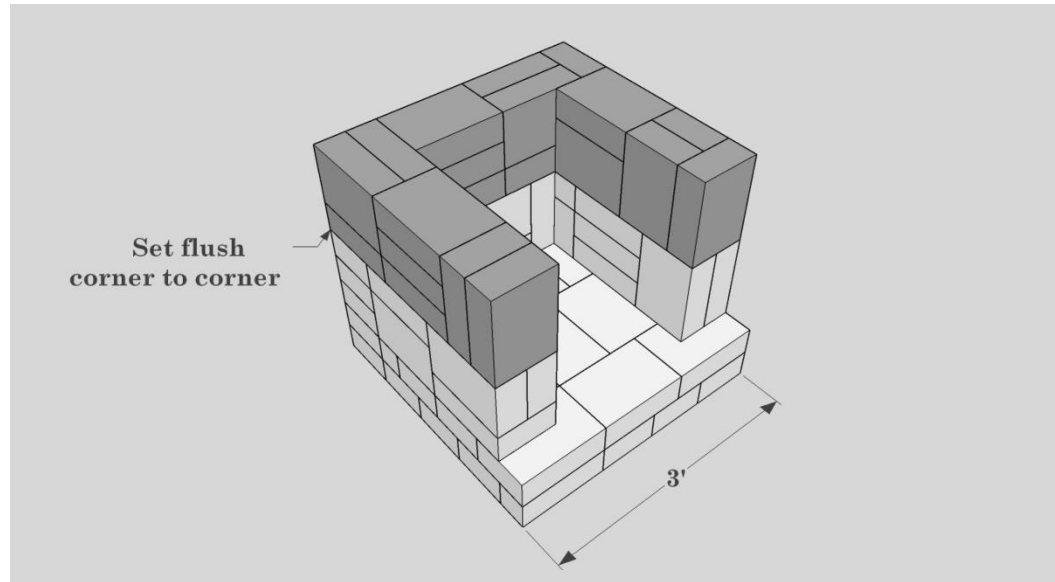
ITEM	Quantity
Simplicity 	21
Glue 	



# Step 4

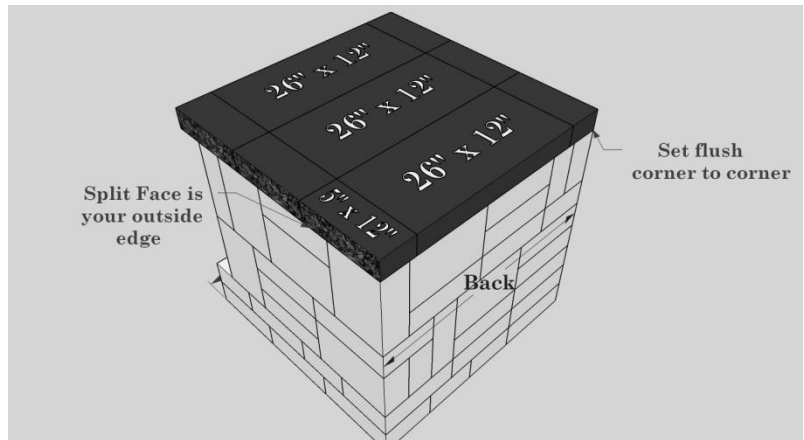
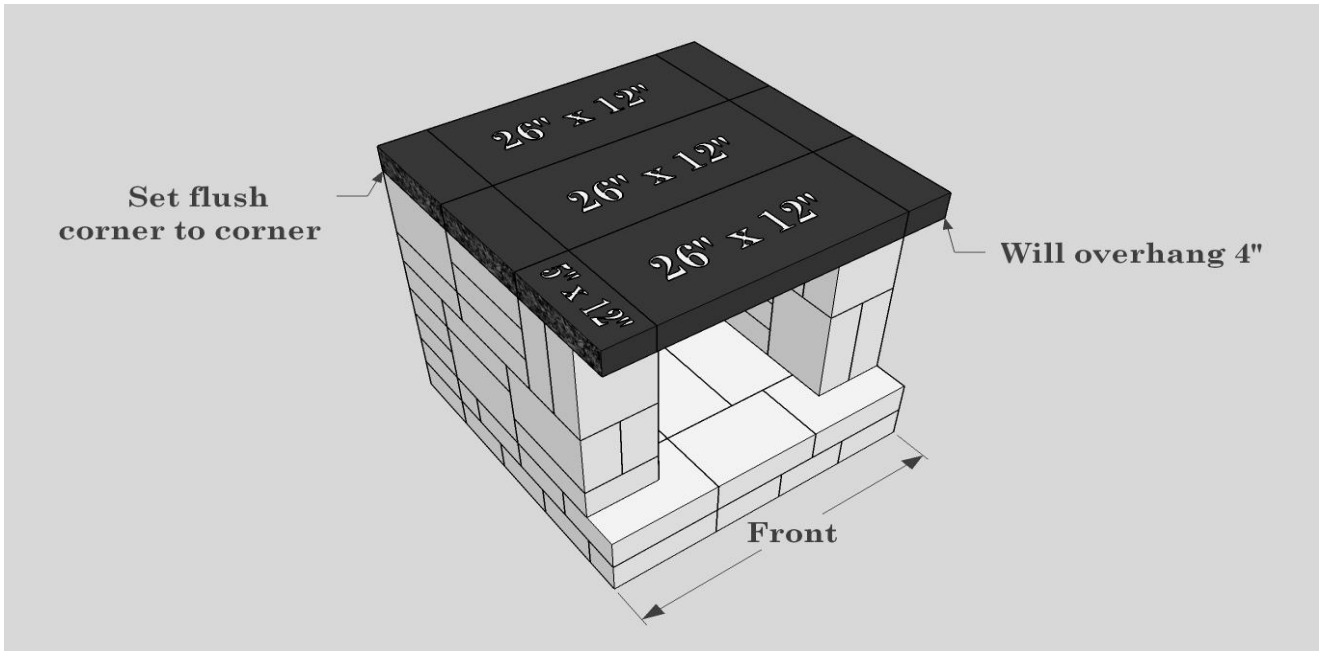
Again insure all blocks to be glued are thoroughly brushed and clear of dust. Begin at either corner and construct the back section first, gluing all touching blocks.

ITEM	Quantity
Simplicity	21
Glue	



# Step 5

ITEM	Quantity
Double Vyking Cap 26" x 12" x 3"	3
Outer Cap 12" x 5" x 3"	6
Glue	



Final

